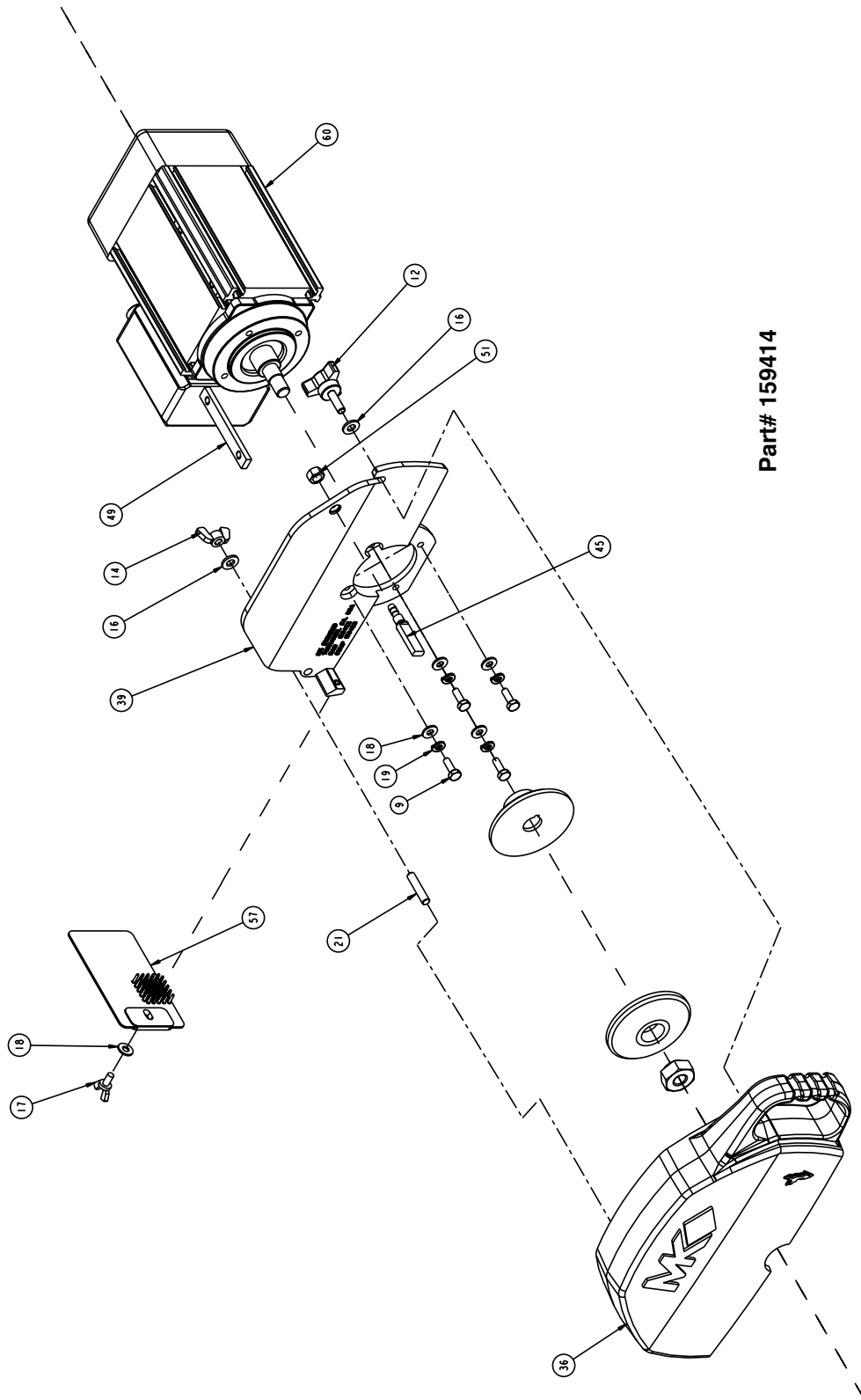


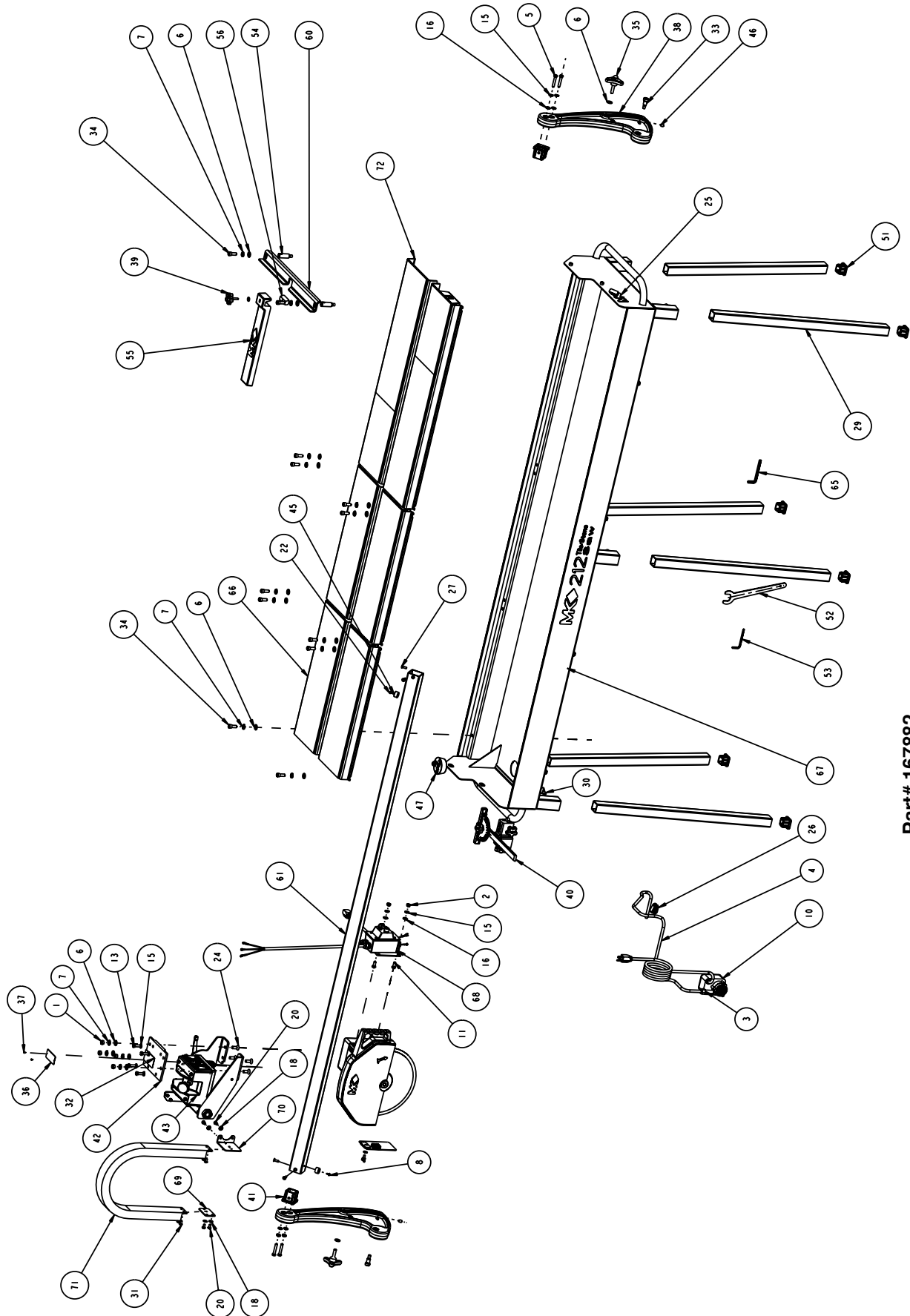
Part# 159414

ITEM NO.	DESCRIPTION	PART #	QTY. REQ.
1	NUT, 3/8-6 HEX	101188	4
2	NUT, HEX, 5/16 - 18	101196	2
3	FITTING, PLASTIC, 1/4 FNPT X 1/4 BARB	128397	1
4	HOSE, VINYL, 3/8 X 1/4	132951	1
5	SCREW, 5/16 - 18 X 1-3/4 HEX HEAD CAP	150919	4
6	WASHER, 3/8 SAE FLAT	150923	15
7	WASHER, 3/8 SPLIT LOCK	150925	12
8	SCREW, PAN HD SELF TPIO-24 X 3/8	151262	1
9	BOLT, HEX HEAD 1/4 20 X 3/4"	151267	4
10	PUMP, WATER 115V/60HZ UL/CSA	151271	1
11	SCREW, 5/16 - 18 X 1 HEX HEAD MACHINE	151743	4
12	KNOB, 5/16-18 X 1	151681	1
13	SCREW, 5/16 -18 X 1 HEX HEAD MACHINE	151743	4
14	WINGNUT, 5/16 - 18 NYLOK	151746	1
15	WASHER, LOCK, SPLIT, 5/16	151747	10
16	WASHER, 5/16 SAE FLAT	151754	8
17	SCREW, WING, 1/4 - 20 X 1/2	151888	1
18	WASHER, 1/4 SAE FLAT	151915	13
19	WASHER, 1/4 SPLIT LOCK	152591	4
20	SCREW, 1/4 - 20 X 1/2 HEX HEAD	152608	8
21	STUD, 5/16 - 18 X 1-1/2"	153680	1
22	SCREW, PHILP SELF TAP 10 - 24 X 5/8"	153681	1
23	F.H.C.S. 3/8 - 16 X 1"	154019	4
24	LABEL, 1-3/4 X 5 MK LOGO	154335	2
25	CLAMP, HOSE 1/2 - 3/4	154394	1
26	SCREW, 1/4 - 20 X 3/4 FLAT HEAD PHILLIPS MACHINE	154657	4
27	LEG	155397	4
28	SCREW, THUMB 3/8 - 16 X 3/4"	155398	4
30	LABEL, SAFETY	155806	1
31	SCREW, SHLDR, SOC HD, 1/2 X 3/4	156177	2
32	SCREW, SOCKET HEAD CAP 3/8 - 16 X 1	156602	1
33	KNOB, TRI	156770-02	2
34	TAG, SERIAL #, BLANK	157500-RW	1
35	DRIVE SCREW, #7 X 5/16 ROUND HEAD	157849	2
36	GUARD, BLADE	159416	1



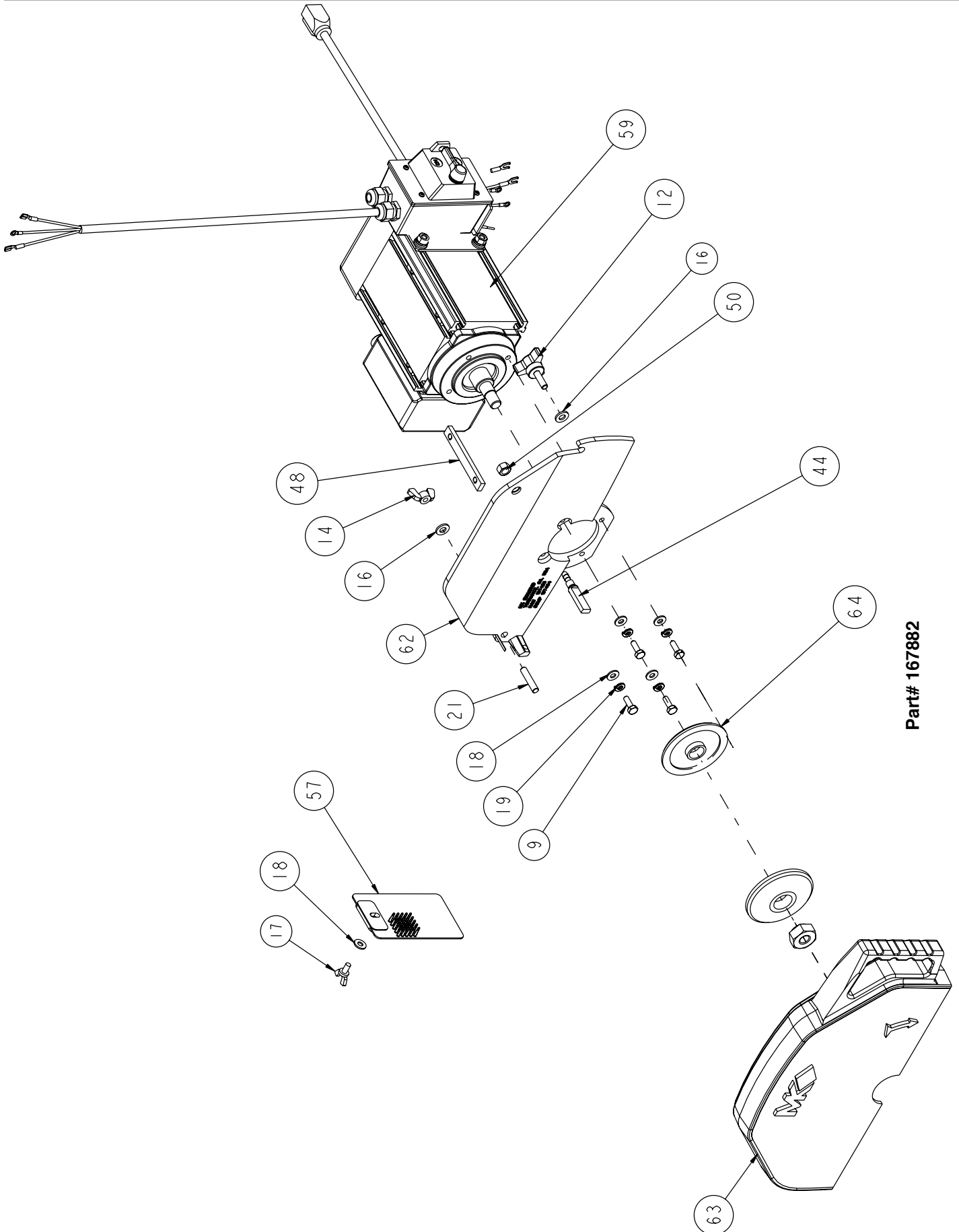
Part# 159414

ITEM NO.	DESCRIPTION	PART #	QTY. REQ.
37	POST, PIVOT (COMP)	159418	2
38	FRAME, PAN WELDMENT	159419	4
39	GUARD, INNER BLADE (COMP)	159423	1
40	PROTRACTOR ASSEMBLY	159572	1
41	BLOCK, RAIL	159622	2
42	RAIL, 2 X 2 X 50	159641	1
43	MOUNT, SOGA MOTOR	159642	1
44	CUTTING HEAD	159853	1
45	MANIFOLD, WATER	159854	1
46	STOP, RUBBER BUMPER	159855	2
47	SCREW, SET UP 3/8 - 16 X 1/2"	159856	2
48	PLUG, 2-1/2 DIA RUBBER	159858	1
49	KEY, MOTOR MOUNT	159859	2
50	OWNERS MANUAL	159862	1
51	NUT, 3/8 16 HEX	159863	1
52	FOOT, RUBBER	159977	4
53	WRENCH, 30MM OPEN END, 30DEG	159979	1
54	WRENCH, 5MM ALLEN	159979	1
55	STAND OFF, BACK STOP	160117	2
56	ASSEMBLY, RIP GUIDE	160288	1
57	GUARD, SPLASH	160310	1
58	LABEL, MK-212	160669	2
59	SWITCH BOX	160687	1
60	2 H.P. SOGA 115V MOTOR	162078	1
61	STOP, BACK	165685	1
62	BRACKET, POST MOUNT	167376	1
63	BRACKET, HEAD MOUNT	167377	1
64	CARRIER, CABLE	167430	1
65	WRENCH, 5/16"ALLEN	167679	1
66	ASSEMBLY, TABLE	167762	2



Part# 167882

ITEM NO.	DESCRIPTION	PART #	QTY. REQ.
1	NUT, 3/8 - 16 HEX	101188	4
2	NUT, HEX, 5/16 - 18	101196	2
3	FITTING, PLASTIC, 1/4 FNPT X 1/4 BARB	128397	1
4	HOSE, VINYL, 3/8 X 1/4	132951	1
5	SCREW, 5/16 - 18 X 1-3/4 HEX HEAD CAP	150919	4
6	WASHER, 3/8 SAE FLAT	150923	18
7	WASHER, 3/8 SPLIT LOCK	150925	16
8	SCREW, PAN HD SELF TP10-24 X 3/8	151262	1
9	BOLT, HEX HEAD 1/4 - 20 X 3/4"	151267	4
10	PUMP, WATER 115V/60HZ UL/CSA	151271	1
11	SCREW, 5/16 - 18 X 3/4 HEX HEAD MACHINE	151369	2
12	KNOB, 5/16 - 18 X 1	151681	1
13	SCREW, 5/16 - 18 X 1 HEX HEAD MACHINE	151743	4
14	WINGNUT, 5/16 - 18 NYLON	151746	1
15	WASHER, LOCK, SPLIT, 5/16	151747	10
16	WASHER, 5/16 SAE FLAT	151754	8
17	SCREW, WING, 1/4 - 20 X 1/2	151888	1
18	WASHER, 1/4 SAE FLAT	151915	10
19	WASHER, 1/4 SPLIT LOCK	152591	4
20	SCREW, 1/4 - 20 X 1/2 HEX HEAD	152608	4
21	STUD, 5/16 - 18 X 1-1/2"	153680	1
22	SCREW, PHILP SELF TAP 10 - 24 X 5/8"	153681	1
23	CARTON, SHIPPING	153738	1
24	F.H.C.S. 3/8 - 16 X 1"	154019	4
25	LABEL, 1-3/4 X 5 MK LOGO	154335	2
26	CLAMP, HOSE 1/2 - 3/4	154394	1
27	SCREW, 1/4 - 20 X 3/4 FLAT HEAD PHILLIPS MACHINE	154657	4
29	LEG	155397	6
30	SCREW, THUMB 3/8 - 16 X 3/4"	155398	6
31	SCREW, 1/4-20 X 1/2 PAN HEAD PHILLIPS MACHINE	155452	4
32	LABEL, SAFETY	155806	1
33	SCREW, SHLDR, SOC HD, 1/2 X 3/4	156177	2
34	SCREW, SOCKET HEAD CAP 3/8 - 16 X 1	156602	12
35	KNOB, TRI	156770-02	2
36	TAG, SERIAL #, BLANK	157500-RW	1
37	DRIVE SCREW, #7 X 5/16 ROUND HEAD	157849	2

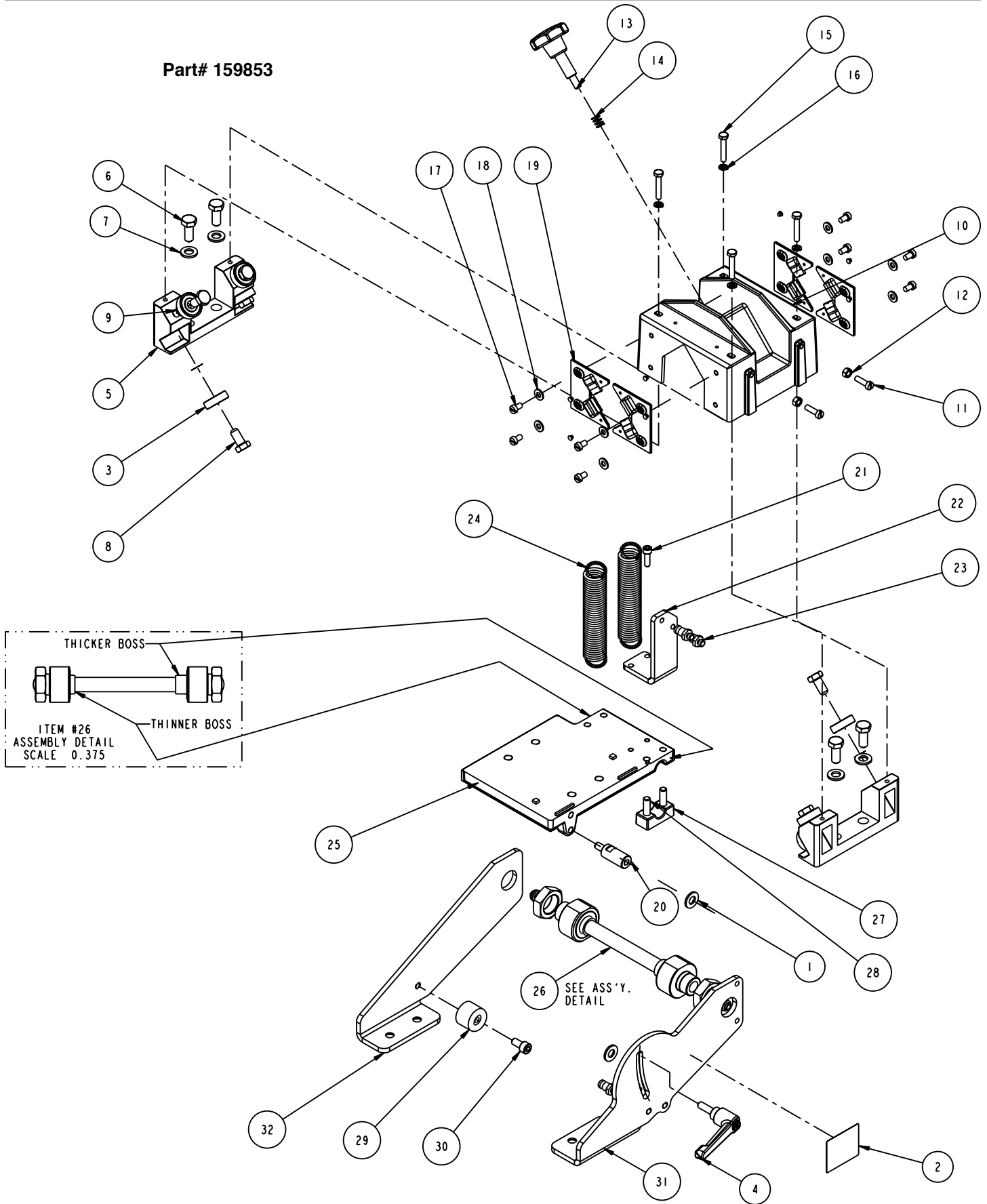


Part# 167882

ITEM NO.	DESCRIPTION	PART #	QTY. REQ.
38	POST, PIVOT (COMP)	159418	2
39	KNOB, 1/4 - 20 X 1 - 1/4	159428-2	1
40	PROTRACTOR ASSEMBLY	159572	1
41	BLOCK, RAIL	159622-MOD	2
42	MOUNT, SOGA MOTOR	159642	1
43	CUTTING HEAD	159853	1
44	MANIFOLD, WATER	159854	1
45	STOP, RUBBER BUMPER	159855	2
46	SCREW, SET CUP 3/8 - 16 X 1/2"	159856	2
47	PLUG, 2-1/2 DIA RUBBER	159858	1
48	KEY, MOTOR MOUNT	159859	2
49	OWNER MANUAL	159862	1
50	NUT, 3/8 - 16 HEX	159863	1
51	FOOT, RUBBER	159977	6
52	WRENCH, 30MM OPEN END, 30 DEG	159978	1
53	WRENCH, 5MM ALLEN	159979	1
54	STAND OFF, BACK STOP	160117	2
55	GUIDE, 15 INCH RIP (COMP)	160286	1
56	PLATE, PRESSURE	160287	1
57	GUARD, SPLASH	160310	1
58	LABEL, MK-212	160669	1
59	MOTOR, 115V, 2HP SOGA	162078	1
60	STOP, BACK	165685	
61	RAIL	166887	1
62	GUARD, BLADE INNER	167494	1
63	GUARD, BLADE OUTER	167496	1
64	FLANGE, BLADE INNER	167539	1
65	WRENCH, 5/16" ALLEN	167679	1
66	ASSEMBLY, TABLE	167762	2
67	PAN WELDMENT	167883	1
68	ASS'Y, SWITCH BOX	167893	1
69	BRACKET, POST MOUNT	168048	1
70	BRACKET, HEAD MOUNT	168049	1
71	CARRIER, CABLE	168051	1
72	ASSEMBLY, TABLE LONG	168054	1



Part# 159853



ITEM NO.	DESCRIPTION	PART #	QTY. REQ.
1	WASHER, 3/8 SAE FLAT	150923	2
2	LABEL, FOR INFO ON SERVICE	155038	1
3	BEARING, BALL, DEEP GROOVE	160097	8
4	KNOB, ADJUSTMENT	160184	1
5	BLOCK, BEARING RAIL (COMP)	160201	2
6	SCREW, HEX HEAD CAP, M10 X 30MM	160202	4
7	WASHER, FLAT, N, M10	160203	4
8	SCREW, HEX HEAD CAP M10 X20MM	160204	8
9	SHIM, 3/8 X 5/8 X .008 STEEL	160205	8
10	COVER, BEARING (COMP)	160207	1
11	SCREW, SLOTTED MACHINE M6 X 20MM	160208	2
12	NUT, HEX, M6 X 1.0	160209	2
13	KNOB, LOCKING	160210	1
14	SPRING, COMPRESSION	160211	1
15	SCREW, HEX HEAD CAP, M6 X 30MM	160212	4
16	WASHER, SPLIT M6	160213	4
17	SCREW, PAN HEAD SLOT M6 X 10MM	160214	8
18	WASHER, FLAT M6	160215	8
19	ASSEMBLY, WIPER, CUTTING HEAD	160216	4
20	STAND-OFF, BEARING SUPPORT BASE	160218	1
21	SHCS M6 X 20	160219	2
22	BRACKET, SPRING SUPPORT	160220	1
23	PIN, SPRING SUPPORT	160221	4
24	SPRING	160222	2
25	BASE, BEARING SUPPORT	160223	1
26	ASSY, CUTTING HEAD PIVOT AXLE	160224	1
27	CLAMP, PIVOT AXLE	160226	2
28	SCREW, SOCKET HEAD CAP M8 X 25MM	160227	4
29	STOP, RUBBER BUMPER	160228	1
30	SCREW, SOCKET HEAD CAP M8 X 16MM	160229	1
31	ARM, MK-212 SWING (LEFT)	160238	1
32	ARM, MK-212 SWING (RIGHT)	160242	1